

Open Front Under Cabinet Solutions

Teron-OF (T8)

Work level task lighting is often necessary in the dark spaces under a cabinet. The Teron-OF gives the required light to these areas while providing a powerful forward throw from its open front design. Utilizing an extruded, snap in lens, the light is distributed in the rear as well as the front of the work surface. Electronic ballasts are standard to ensure a flicker free work space.

When more than one fixture is required, save installation time by joining a row of fixtures together with linking adapters. The keyed power connectors join the fixtures end to end, thus eliminating power feeds to individual housings. Linking extensions allow fixtures to remain electrically connected while spaced apart, around corners and obstacles.



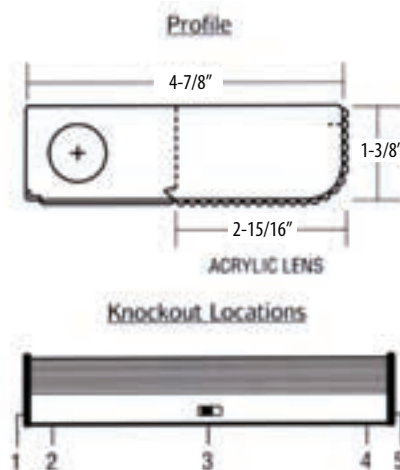
FEATURES



Linking Connectors enable row mounted housings to use one power connection (LX). The LX option is available in 120 volt only.



Linking extensions for extended row mounting and around obstacles are available in 6, 12 and 24 inch lengths. This feature must be used with the LX options and is available in 120 volt only.



Specifications

(Specifications subject to change, consult web site for any revisions)

- Construction: Housing is 20GA CRS with no exposed fasteners; ballast cover hinges down and away for ease of maintenance.
- Lenses: Clear ribbed, high impact acrylic, snap in diffuser.
- Switching: **On/off rocker switch on right side or remote mounted switch by others. Rocker switch available in 120 & 277 volt in this series.**
- Lamps: Bi-pin T8 lamps (*lamps provided by others*).
- Linking Connectors: 5/8 inch keyed, 3-conductor; 7-amp male to female power connectors mounted on fixture ends facilitates row mounting; allow 1/16 inch per connection (*120v only*).
- Mounting: Easy key hole slots for quick and accurate mounting.
- Standard Finish: Entire fixture is polyester powder coated **gloss white**.
- Optional Finish: Antimicrobial gloss white or custom color (*please provide color number or sample*).
- CA OSHPD: California Office of Statewide Health Planning and Development. Seismic mounting pre-approval status: (calculations and pre-approval not required).
- Listings: UL/C-UL listed for damp locations.

Typical Counter Top Light Distribution

Photometrics
Surface Footcandle Values
Mounting Height 15"

	24"	12"	0"	12"	24"
0"	31	79	115	79	31
6"	26	54	81	54	26
12"	22	45	65	45	22
18"	19	31	49	31	19
24"	11	22	33	22	11
30"	9	16	21	16	9

Catalog No: HUC336-120V
1 Lamp: 25W T8



ORDERING INFORMATION

Example: HUC348-120-S1-FH-LX-LE6-CC

Series	Voltage	Switching	Options	Linking Options ⁽¹⁾	Finish
<input type="text"/>	<input type="text"/>	<input type="text"/>	<input type="text"/>	<input type="text"/>	<input type="text"/>
HUC318 18-1/8", F15W T8	120	S1 On/off rocker (available in 120 & 277 volt in this series)	CP Hospital grade cord and plug	LX Linking power connectors	GW Gloss white
HUC324 24-1/8", F17W T8	277		FH GLR fuse	LE6 6" Linking extension	CC Custom color (please provide color number or sample)
HUC336 36-1/8", F25W T8			SB Slo-blo fuse	LE12 12" Linking extension	AM Antimicrobial gloss white
HUC348 48-1/8", F32W T8		SX No switch	THD <10% THD ballast	LE24 24" Linking extension	
			RS Program rapid start ballast		

Ordering Notes:

(1) Linking options available in 120v units only.

