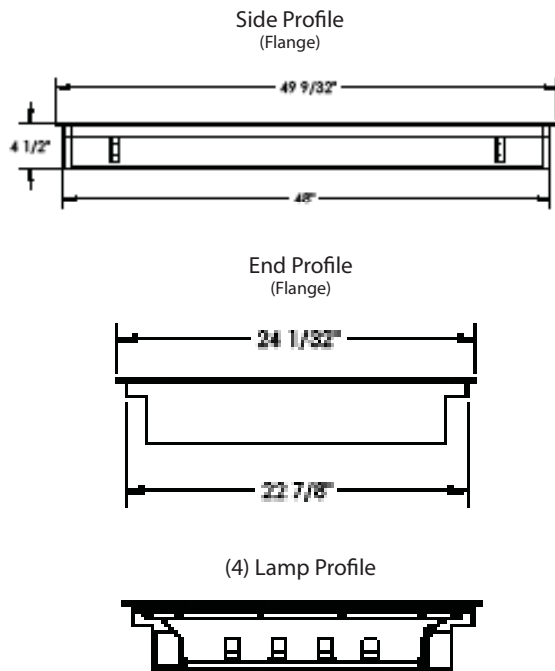




COMFORTVIEW 2X4 (T8 or T5)

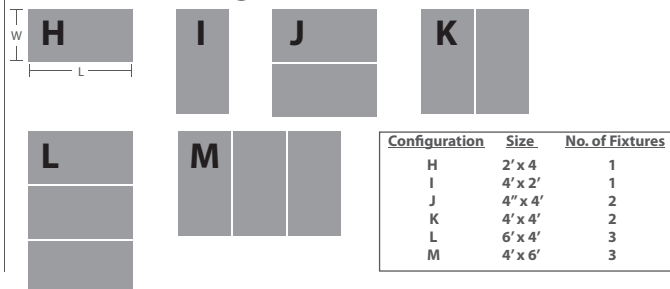
Dimensional Data



Specifications

- Construction:** 18GA CRS housing for flange and 1" to 1-1/2" grid ceilings.
- Electrical:** 120, 277 or universal voltage.
- Graphic Image:** .08" high impact, polymer, translucent photographic lens by CeilingScenes of VantagePoint Concepts. Lens incorporates UV-cured printing process with no harmful solvents. Ideally suited for indoor air quality of healthcare facilities.
- Image Gallery:** Hi-resolution photographic images by National Geographic.
- Lamps:** (4) 32w T8 or (4) 28w T5 lamps (by others).
- Switching:** Line voltage switching by others.
- Finishes:** Polyester powder coated after fabrication with either flat white or designer white antimicrobial finish.
- Listings:** UL and C-UL listed.
- Warranty:** 5-year limited warranty. Made in the USA by Healthcare Lighting's ISO certified facility in Fairview, PA.
- Custom:** Customized layouts and images are available. Please contact factory at (814) 474-4974.

Fixture Configuration



Specifications subject to change. Please visit our web site for updated information.

COMFORTVIEW (2X4)



Ordering Information

Example: HCV124-F-277-4LT8-L-1334-SX-DM-SB-AM

1	2	3	4	5	6	7	8	9	10
HCV124									
SERIES	MOUNTING	VOLTAGE	LAMPS	CONFIG	IMAGE	GRAPHIC IMAGE (LVCs)	GRAPHIC IMAGE (LIGHT LEVELS)	OPTIONS	FINISHES
HCV124	G T-Grid F Flange	120 277 UNV	4LT8 4LT5 LED	H I J K L M	Choose image number from Image Gallery on our web site.	LC Class 2 UL listed Low Voltage Controller (use for interface with existing nurse call pillow speaker/handset) LC1 LC plus 1-gang j-box cover with receptacle and pillow switch w/ 6' cord (use when nurse call system is unavailable)	1C 1 Circuit (On/off control) DM Dimming <i>(Please specify type of dimming. Switches/dimming controls by others. Only available with SX)</i>	FH Fast-blo fuse SB Slo-blo fuse	FW Flat white finish AM Designer white antimicrobial finish
						SX No LVC			