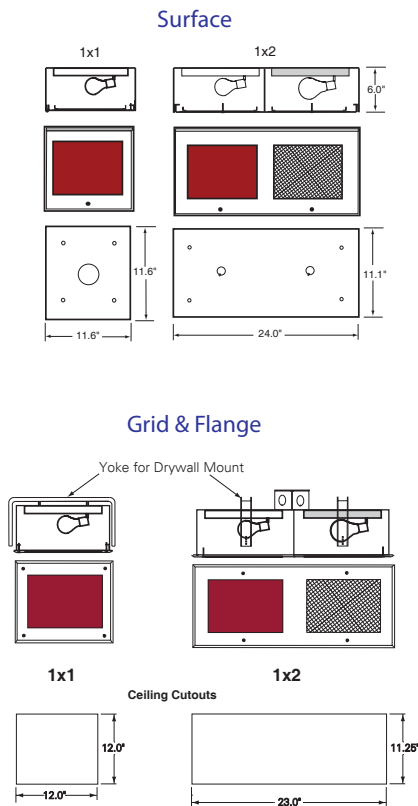




DARKROOM SAFE LIGHT

1X1 or 1X2

Dimensional Data



Specifications

- Construction:** Lapped and spot welded 20GA CRS housing. For flange, 1" grid and surface installations.
- Door:** 20GA 4-B satin polished stainless steel door frame with light trap and neoprene gasket. Door frame hinged to housing with continuous stainless steel piano hinge. Secured with flush mounted, captive, stainless steel fasteners.
- Reflector:** Removable integral 20GA CRS panel. White powder coat finished (min. reflectivity 88%).
- Electrical:** 1/2 inch trade size conduit knock-outs located on rear of housing. One circuit per lamp.
- Primary Lens:** Kodak® Filter (see ordering information below for filter choice).
- Secondary Lens:** C73 prismatic clear tempered glass for diffusion of 1x2 models only.
- Lamps:** (1) 15w A15 incandescent lamp per primary compartment, as recommended by Kodak® Imaging. For secondary compartment, (1) 200w A23 (grid & flange) or (1) 150w A21 (surface) incandescent lamp (lamps not included).
- Switching:** Line voltage switching by others.
- Standard Finish:** White powder coat finish (1,000 hour salt spray test) or 4-B (satin polish) stainless steel finish.
- Installation:** Surface: several, .312 dia. holes in rear of housing for mounting Flange & Grid: Yoke hanger mounting is standard for secure installation in plaster or drywall ceilings. Optional plaster frames are available. T-bar supports are provided for simple grid installation. Support to structure by others.
- Listings:** UL/C-UL listed for Wet Location. IBEW Label.
- Note:** Do not replace primary compartment lamp with higher wattages. Damage to the filter will result.

Specifications subject to change. Please visit our web site for updated information.

DARKROOM SAFE LIGHT



Ordering Information

Example: HDR111-F-1A-PF1

1			2		3	
SERIES			KODAK® FILTERS		OPTIONS	
T-grid	Housing & Lensing	Lamps	1	2	PF1	PF2
HDR111-G	1x1 (primary lens only)	(1) 15w A15 (not included)	1	Red	PF1	Plaster frame for HDR111-F
HDR112-G	1x2 (primary & secondary lenses)	(1) 15w A15 and (1) 200w A23 (not included)	1A	Light Red	PF2	Plaster frame for HDR112-F
Flange	Layout & Lensing	Lamps	2	Dark Red	RKF	Replacement Kodak® Filter (please specify color and number)
HDR111-F	1x1 (primary lens only)	(1) 15w A15 (not included)	3	Dark Green		
HDR112-F	1x2 (primary & secondary lenses)	(1) 15w A15 and (1) 200w A23 (not included)	10	Dark Amber		
Surface	Layout & Lensing	Lamps	13	Amber		
HDR111-S	1x1 (primary lens only)	(1) 15w A15 (not included)	GBX2	Green/Yellow		
HDR112-S	1x2 (primary & secondary lenses)	(1) 15w A15 and (1) 150w A21 (not included)	OC	Lite Amber		