

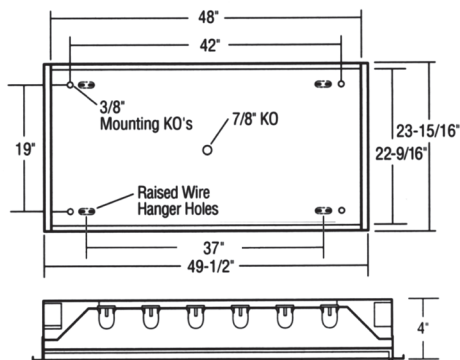


HST 2X4

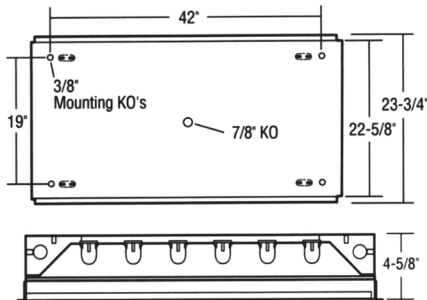
(T8 or T5)

Dimensional Data

Side and End Profiles (Flange)



Side and End Profiles (Grid)



Specifications

- Application:** Sealed Surgical Troffer for general illumination of Operating Room/Surgical Suite.
- Construction:** 18GA die-formed CRS housing for flange and 1" to 1-1/2" grid ceilings with 16GA CRS door.
- Electrical:** 120, 277 or universal voltage.
- Lamp Shield:** Custom, clear prismatic, grounded grid lens with asymmetric distribution towards surgical field.
- Lamps:** (6) 32w T8 or (6) 28w T5 lamps standard. Four lamp profile also available. Lamps by others.
- Light Output:** Meets or exceeds 100fc recommendation of ASHRAE's Advanced Energy Guide (AEDG) - November 2009.
- Switching:** Line voltage switching by others.
- MIL STD 461 F:** EMI independently tested and certified for T8EL, T5EL & Dimming. (1) RFI suppressor per circuit is standard.
- Seismic:** OSHPD pre-approval pending.
- Options:**
- Green phosphor lamps (31w)
 - Dimming
 - Row Mounting with "No Gap" Plenum Bracket for Flange installation.
- Maintenance:** Fixture is serviceable within the room.
- Finishes:** Polyester powder coated after fabrication with gloss white or designer gloss white antimicrobial finish.
- Listings:** UL and C-UL listed.
- Warranty:** 5-year limited warranty. Made in the USA by Healthcare Lighting's ISO certified facility in Fairview, PA.

Specifications subject to change. Please visit our web site for updated information.

HST (2X4)



Ordering Information

Example: HST124-F-UNV-6LT5-3C-THD-SB-GW

1	2	3	4	5	6	7
HST124						
SERIES	MOUNTING	VOLTAGE	LAMPS	LIGHT LEVELS	OPTIONS	FINISHES
HST124	G T-Grid F Flange	120 277 UNV	4LT8 4LT5 6T8 6LT5	1C 1 Circuit 2C 2 Circuit 3C 3 Circuit DM Dimming	THD <10% THD ballast (1C, 2C, 3C only) RS Program rapid start ballast (1C, 2C, 3C only) RM Row Mounting for flange installation EM1 (1) lamp emergency ballast (120v or 277v only) EM2 (2) lamp emergency ballast (120v or 277v only) EM30 (1 or 2) lamp emergency ballast (120v or 277v only) EM33 (3) lamp emergency ballast (120v or 277v only) G1 (1) lamp generator transfer battery (120v or 277v only) G3 (3) lamp generator transfer battery (120v or 277v only) GPL1 (1) Green phosphor lamp (included) GPL2 (2) Green phosphor lamps (included) PF Plaster frame kit FH Fast-blo fuse	SSD Stainless steel door frame SB Slo-blo fuse
						GW Gloss white finish AM Designer gloss white antimicrobial finish