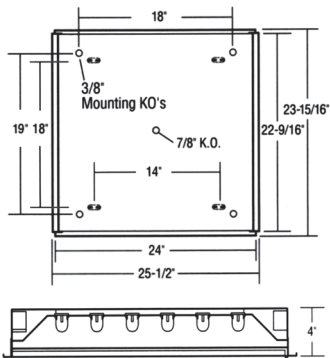


# HST 2X2

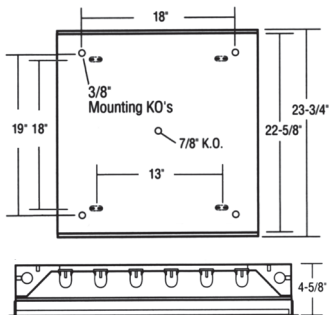
(T8 or T5)

## Dimensional Data

### Side and End Profiles (Flange)



### Side and End Profiles (Grid)



## Specifications

- Application:** Sealed Surgical Troffer for general illumination of Operating Room/Surgical Suite.
- Construction:** 18GA die-formed CRS housing for flange and 1" to 1-1/2" grid ceilings with 18GA CRS door.
- Electrical:** 120, 277 or universal voltage.
- Lamp Shield:** Custom, clear prismatic, grounded grid lens with asymmetric distribution towards surgical field.
- Lamps:** (6) 17w T8 or (6) 14w T5 lamps standard. Four lamp profile also available. Lamps by others.
- Light Output:** Meets or exceeds 100fc recommendation of ASHRAE's Advanced Energy Guide (AEDG) - November 2009.
- Switching:** Line voltage switching by others.
- MIL STD 461 F:** EMI independently tested and certified for T8EL, T5EL & Dimming. (1) RFI suppressor per circuit is standard.
- Seismic:** OSHPD pre-approval pending.
- Options:**
- (1 or 2) Green phosphor 17w lamps (included)
  - Dimming (switching/dimming controls by others)
  - Row Mounting is available for Grid or Flange ceilings. "No-Gap" Plenum Bracket is provided for Flange installation.
- Maintenance:** Fixture is serviceable within the room.
- Finishes:** Polyester powder coated after fabrication with gloss white or designer gloss white antimicrobial finish.
- Listings:** UL and C-UL listed.
- Warranty:** 5-year limited warranty. Made in the USA by Healthcare Lighting's ISO certified facility in Fairview, PA.

Specifications subject to change. Please visit our web site for updated information.

## HST (2X2)



## Ordering Information

Example: HST122-G-120-6LT8-1C-EM1-GP2-GW

1	2	3	4	5	6	7
SERIES	MOUNTING	VOLTAGE	LAMPS	LIGHT LEVELS	OPTIONS	FINISHES
HST122	G T-Grid F Flange	120 277 UNV	4LT8 4LT5 6LT8 6LT5	1C 1 Circuit 2C 2 Circuit 3C 3 Circuit DM Dimming	THD <10% THD ballast (1C, 2C, 3C only) RS Program rapid start ballast (1C, 2C, 3C only) RM Row Mounting EM1 (1) lamp emergency ballast (120v or 277v only) EM2 (2) lamp emergency ballast (120v or 277v only) EM30 (1 or 2) lamp emergency ballast (120v or 277v only) EM33 (3) lamp emergency ballast (120v or 277v only) G1 (1) lamp generator transfer battery (120v or 277v only) G3 (3) lamp generator transfer battery (120v or 277v only) GP1 (1) Green phosphor lamp (included) GP2 (2) Green phosphor lamps (included) PF Plaster frame kit FH Fast-blo fuse	SSD Stainless steel door frame SB Slo-blo fuse
						GW Gloss white finish AM Designer gloss white antimicrobial finish