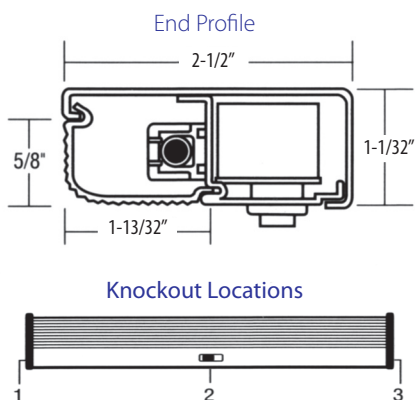


QUARK-OF (T5)

Dimensional Data



Photometric Data

Typical Counter Top Light Distribution
Surface Footcandle Values

Mounting Height 15"					
	24"	12"	0"	12"	24"
0"	15	101	156	101	15
6"	14	65	145	65	14
12"	11	45	81	45	11
18"	9	31	49	31	9
24"	6	22	4	22	6
30"	2	7	14	7	2

Catalog No: HUC134-120V
Lamp: 21W T5

Specifications subject to change. Please visit our web site for updated information.

Specifications

- Construction:** 20GA CRS steel housing with no exposed fasteners.
- Electrical:** 120 or 277 volt.
- Lens:** Clear ribbed, high impact acrylic, snap in diffuser.
- Lamps:** Bi-pin T5 lamps (by others).
- Switching:** On/off rocker switch on right side or remote mounted switch by others. Rocker switch available in 120v only.
- Seismic:** Unit weighs less than 20lbs. OSHPD pre-approval not required.
- Linking:** 5/8 inch keyed, 3-conductor; 7-amp male to female power connectors mounted on fixture ends facilitates row mounting; allow 1/16 inch per connection (120v only).
- Mounting:** Easy key hole slots for quick and accurate mounting.
- Finishes:** Polyester powder coated after fabrication with either gloss white finish or gloss white antimicrobial finish.
- Listings:** UL and C-UL listed.
- Warranty:** 5-year limited warranty. Made in the USA by Healthcare Lighting's ISO certified facility in Fairview, PA.

QUARK-OF (T5)



Ordering Information

Example: HUC134-120-S1-CP-LE12-AM

1	2	3	4	5	6
SERIES	VOLTAGE	SWITCHING	OPTIONS	LINKING OPTIONS	FINISHES
HUC112 (12-5/16" - F8W - T5)	120	S1 On/off rocker (available in 120v only)	CP 6' cord and plug	LX Linking power connectors	GW Gloss white finish
HUC122 (22-5/8" - F14W - T5)	277		FH Fast-blo fuse	LE6 6" Linking extension	AM Gloss white antimicrobial finish
HUC134 (34-3/8" - F21W - T5)		SX No switch	SB Slo-blo fuse	LE12 12" Linking extension	CC Custom Color (please provide color # or sample)
HUC146 (46-3/16" - F28W - T5)				LE24 24" Linking extension	

Linking options available in 120v units only.