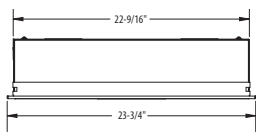




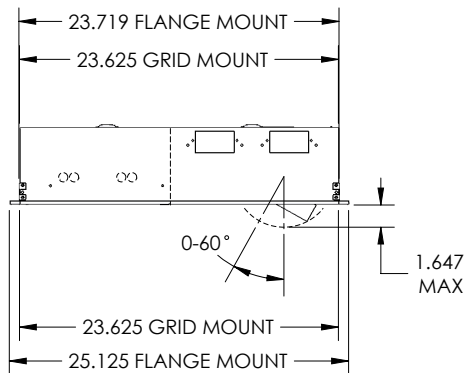
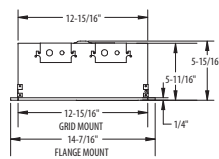
SOLUME MOTORIZED EXAM

Dimensional Data

Side Profile



End Profile



Specifications

- Description:** Recessed, motorized exam light.
- Range of Motion:** Exam head rotates from 0° to 60°.
- Applications:** General patient room and Med/Surg patient room.
- Construction:** 18GA welded housing and exam head.
- Electrical:** 120 or 277 volt.
- Lamp Shield:** Examination head incorporates a tempered glass lens to shield lamps.

Exam:

MA:

Motorized Examination System includes:

- Healthcare Lighting's Class 2, four Circuit Low Voltage Controller which provides interface to Class 2 Wall Switch for control of motorized examination head. Class 2 Wall Switch fits a standard 2 gang electrical box (by others).
- (3) 75w CRI 100, MR16 lamps (included) with heat dissipating dichroic filters. 13° beam, 4,000 hour lamp life.

FA:

Non-Motorized Examination System includes:

- Non-motorized examination head is manually adjusted at time of installation.
- (3) 75w CRI 100, MR16 lamps (included) with heat dissipating dichroic filters. 25° beam, 4,000 hour lamp life.
- On/off line voltage switching (by others).

Chart Light:

Optional (1) 3w Cool White LED or (1) 10w MR11.

Finishes:

Polyester powder coated after fabrication with either flat white or designer white antimicrobial finish.

Listings:

UL and C-UL listed.

Warranty:

5-year limited warranty. Made in the USA by Healthcare Lighting's ISO certified facility in Fairview, PA.

Specifications subject to change. Please visit our web site for updated information.

SOLUME



Ordering Information

Example: HMS501-MA-F-120-EC-FW

1	2	3	4	5	6
HMS501					
SERIES	EXAM TYPE	MOUNTING	VOLTAGE	OPTIONS	FINISHES
HMS501	MA Motorized	G T-Grid	120	LEDCR LED Chart Light on right	FW Flat white finish
	FA Non-Motorized	F Flange	277	LEDCL LED Chart Light on left	AM Designer white antimicrobial finish
				CR11 MR11 Chart Light on right	
				CL11 MR11 Chart Light on left	
				EC Remote pendant exam control cord with holder bracket (MA only)	