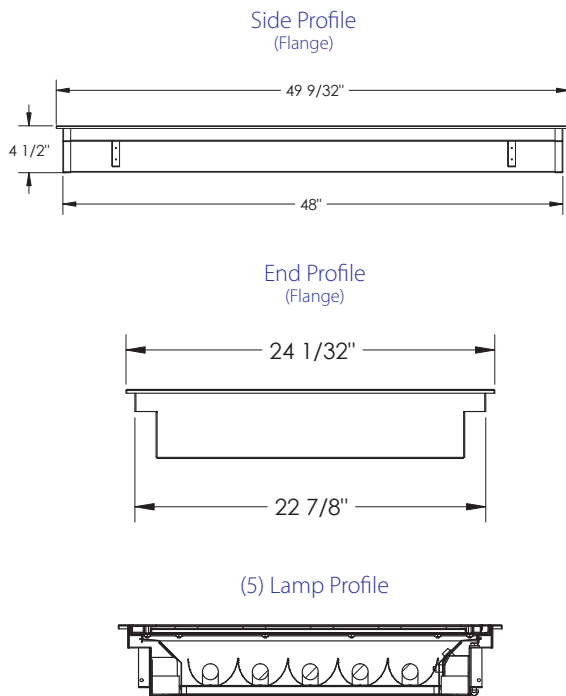


# SURG 5 | 2X4



## Dimensional Data



## Specifications

- Application:** Sealed Surgical Troffer for general illumination of Operating Room/Surgical Suite.
- Construction:** 18GA die-formed CRS housing for flange and 1" to 1-1/2" grid ceilings with 16GA CRS door. Hole free construction and silicone sealed.
- Electrical:** 120, 277 or universal voltage.
- Lamp Shield:** Custom, clear prismatic, grounded grid lens with asymmetric distribution towards surgical field.
- Lamps:** (5) 32w T8 or (5) 28w T5 lamps standard. Lamps by others.
- Light Output:** Meets or exceeds 100fc recommendation of ASHRAE's Advanced Energy Guide (AEDG) - November 2009.
- Switching:** Line voltage switching by others.
- MIL STD 461 F:** EMI independently tested and certified for T8EL, T5EL & Dimming. (1) RFI suppressor per circuit is standard.
- IP65 Option:** IP65 rated to IEC 60598. Independently tested and certified to be dust tight and protected against waterjets.
- Other Options:**
  - (1 or 2) Green phosphor 32w lamps (included)
  - Dimming (switching/dimming controls by others)
  - Row Mounting is available for Grid or Flange ceilings. "No-Gap" Plenum Bracket is provided for Flange installation.
- Installation:** Swing-out Arms are standard for both grid and flange installation.
- Maintenance:** Fixture is serviceable within the room. Ballasts are 100% accessible without lamp removal.
- Seismic:** OSHPD pre-approval pending.
- Finishes:** Polyester powder coated after fabrication with gloss white or designer gloss white antimicrobial finish.
- Listings:** UL and C-UL listed.
- Warranty:** 5-year limited warranty. Made in the USA by Healthcare Lighting's ISO certified facility in Fairview, PA.

Specifications subject to change. Please visit our web site for updated information.

## SURG 5 (2X4)



## Ordering Information

Example: HST524-G-277-5LT8-DM-65-GP1-AM

1	2	3	4	5	6	7
HST524						
<b>SERIES</b>	<b>MOUNTING</b>	<b>VOLTAGE</b>	<b>LAMPS</b>	<b>LIGHT LEVELS</b>	<b>OPTIONS</b>	<b>FINISHES</b>
HST524	G T-Grid F Flange	120 277 UNV	5LT8 5LT5	1C 1 Circuit 2C 2 Circuit 3C 3 Circuit DM Dimming	65 IP65 rated to IEC 60598 THD <10% THD ballast (1C, 2C, 3C only) RS Program rapid start ballast (1C, 2C, 3C only) RM Row Mounting EM1 (1) lamp emergency ballast (120v or 277v only) EM2 (2) lamp emergency ballast (120v or 277v only) EM30 (1 or 2) lamp emergency ballast (120v or 277v only) EM33 (3) lamp emergency ballast (120v or 277v only) G1 (1) lamp generator transfer battery (120v or 277v only) G3 (3) lamp generator transfer battery (120v or 277v only) GP1 (1) Green lamp PF Plaster frame kit FH Fast-blo fuse	GP2 (2) Green lamps SSD Stainless steel door frame SB Slo-blo fuse GW Gloss white finish AM Designer gloss white antimicrobial finish