

ALL LIGHT FIXTURES ARE 100% BENCH TESTED BEFORE LEAVING THE FACTORY.

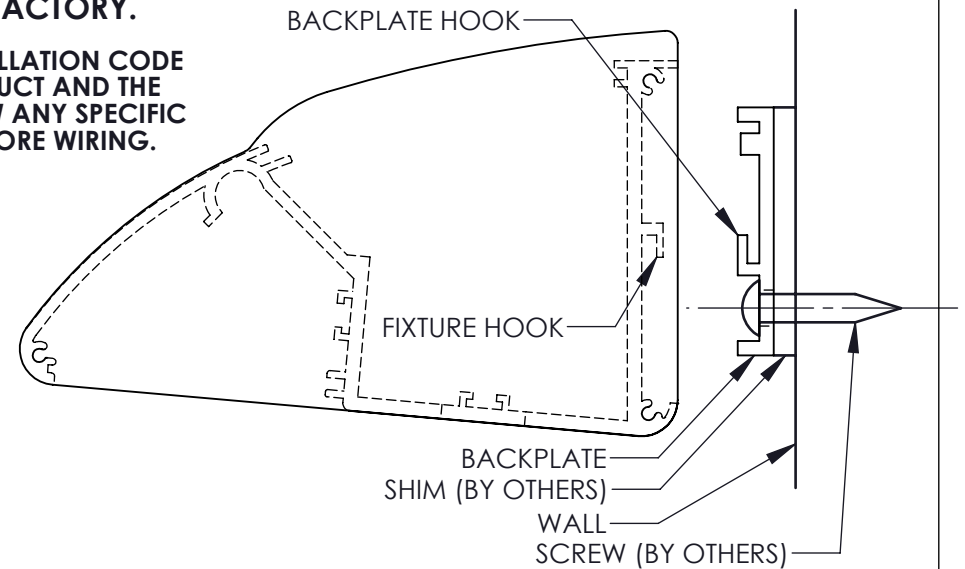
THIS PRODUCT MUST BE INSTALLED IN ACCORDANCE WITH THE APPLICABLE INSTALLATION CODE BY A PERSON FAMILIAR WITH THE CONSTRUCTION AND OPERATION OF THE PRODUCT AND THE HAZARDS INVOLVED. DO NOT CONNECT TO AN UNGROUNDED SUPPLY. FOLLOW ANY SPECIFIC INSTRUCTIONS ON LUMINAIRE LABELS. DISCONNECT POWER TO ALL CIRCUITS BEFORE WIRING.

Wall Preparation and Shimming

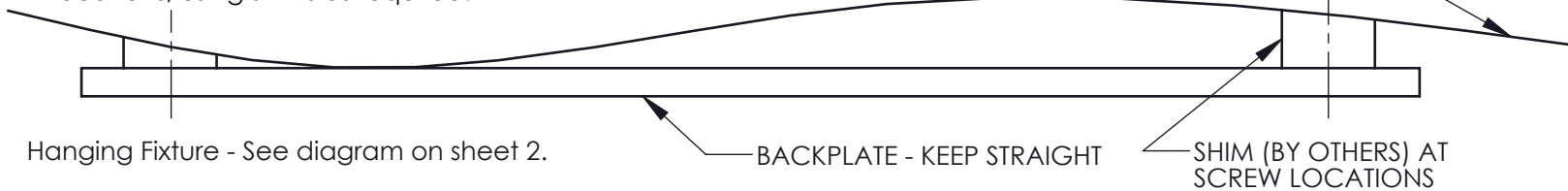
1. Lay fixture Backplate against wall in mounting location over junction box.
Note: Larger slot in center of Backplate is for supply wiring feed. Smaller slot near center wire feed is for low-voltage wiring when low-voltage controller option is provided.
2. Select at least two (2) of the 3/8" diameter holes in Backplate for mounting fastener locations.
3. Mark fastener locations on wall using Backplate as a template.
4. Check wall for straightness using Backplate as a straightedge, noting any gaps between wall and Backplate at fastener locations.
5. Select suitable shims to fill gaps so that Backplate is not forced into a bent or twisted position when secured to wall. Shims should fill gap from top to bottom of Backplate for maximum stability.

Backplate Mounting

1. It is the responsibility of the party installing the fixture to select appropriate fasteners that are suitable for the wall material and construction. Screws driven into wall studs are recommended for maximum security.
2. Secure Backplate to wall with fasteners at the previously marked locations, using shims as required.



UNEVEN WALL (EXAGGERATED)



Hanging Fixture - See diagram on sheet 2.

1. Align slots in back of fixture with studs in Backplate.
2. Hang fixture on Backplate, engaging fixture hook over Backplate hook.
3. If bed power interrupt switching ("Bed Stop") option was ordered, follow diagram for assembly of (provided) spacers over Backplate studs. If bed stop option is not provided, omit the spacers shown in diagram.
4. Secure fixture with washers and nuts provided.
5. If bed stop option is provided, test fixture for free vertical movement. Fixture must be free to "float" vertically for proper bed stop operation.

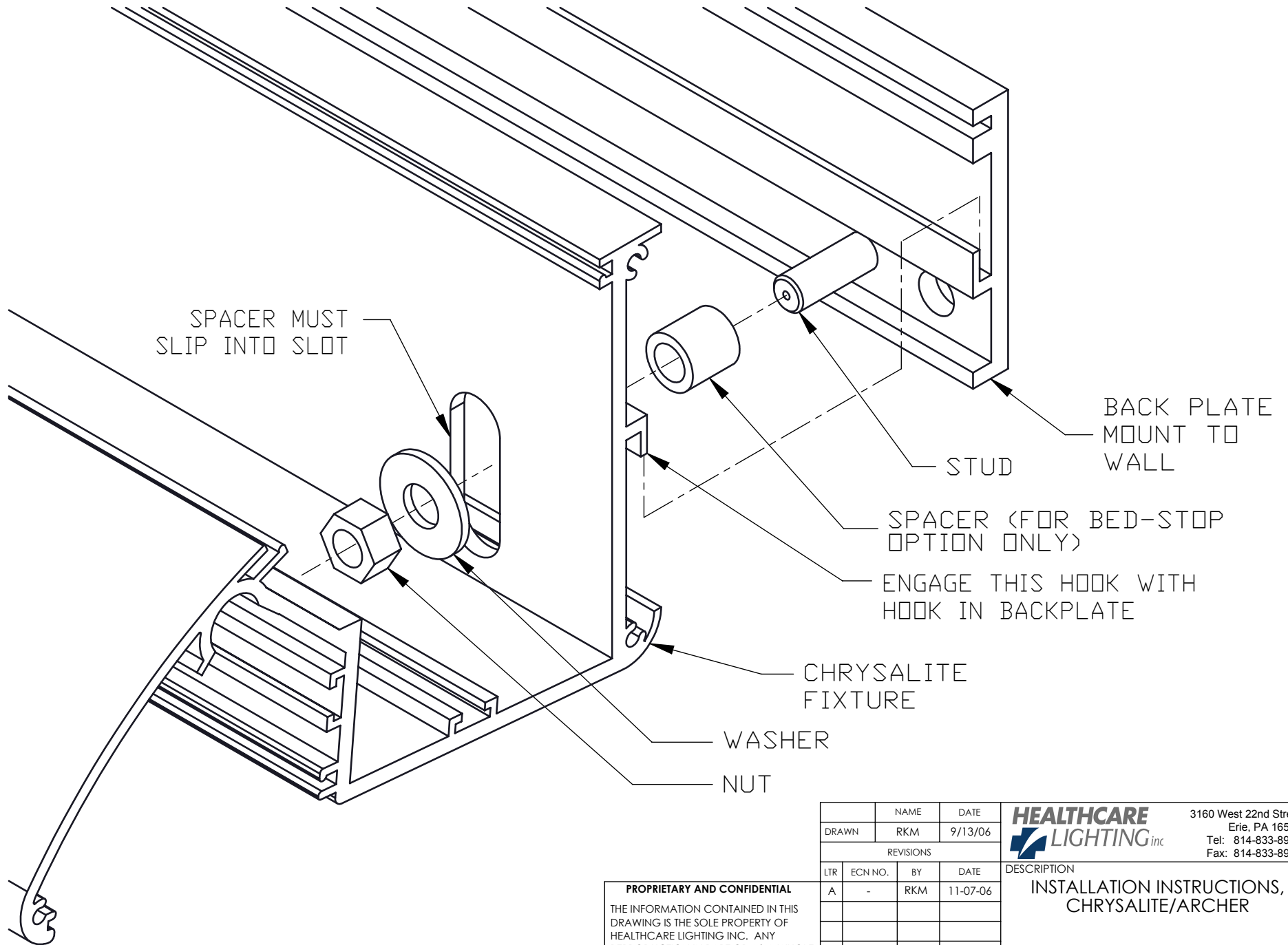
Electrical Connections

1. Disconnect power to all circuits before wiring.
2. Following the wiring diagram provided with the fixture, connect fixture leads to power supply leads and connect any optional switching leads using connectors (by others) suitable for the gage and number of wires being used.
3. If low voltage controller was ordered, refer to wiring diagram on controller label for wiring options.
4. Connect grounding wire of fixture to a proper ground.


PROPRIETARY AND CONFIDENTIAL
THE INFORMATION CONTAINED IN THIS DRAWING IS THE SOLE PROPERTY OF HEALTHCARE LIGHTING INC. ANY REPRODUCTION IN PART OR AS A WHOLE WITHOUT THE WRITTEN PERMISSION OF HEALTHCARE LIGHTING INC., IS PROHIBITED.

NAME		DATE		3160 West 22nd Street Erie, PA 16506 Tel: 814-833-8980 Fax: 814-833-8984
DRAWN		09-13-06		
REVISIONS				
LTR	ECN NO.	BY	DATE	DESCRIPTION
A	-	RKM	11-07-06	INSTALLATION INSTRUCTIONS, CHRYSALITE/ARCHER
SIZE	DWG. NO.			REV.
A	I-0001			A
SCALE:1:1	USED ON:			SHEET 1 OF 3

ALL LIGHT FIXTURES ARE 100% BENCH TESTED BEFORE LEAVING THE FACTORY.



PROPRIETARY AND CONFIDENTIAL
 THE INFORMATION CONTAINED IN THIS DRAWING IS THE SOLE PROPERTY OF HEALTHCARE LIGHTING INC. ANY REPRODUCTION IN PART OR AS A WHOLE WITHOUT THE WRITTEN PERMISSION OF HEALTHCARE LIGHTING INC., IS PROHIBITED.

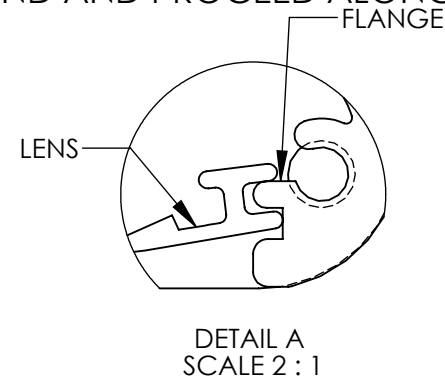
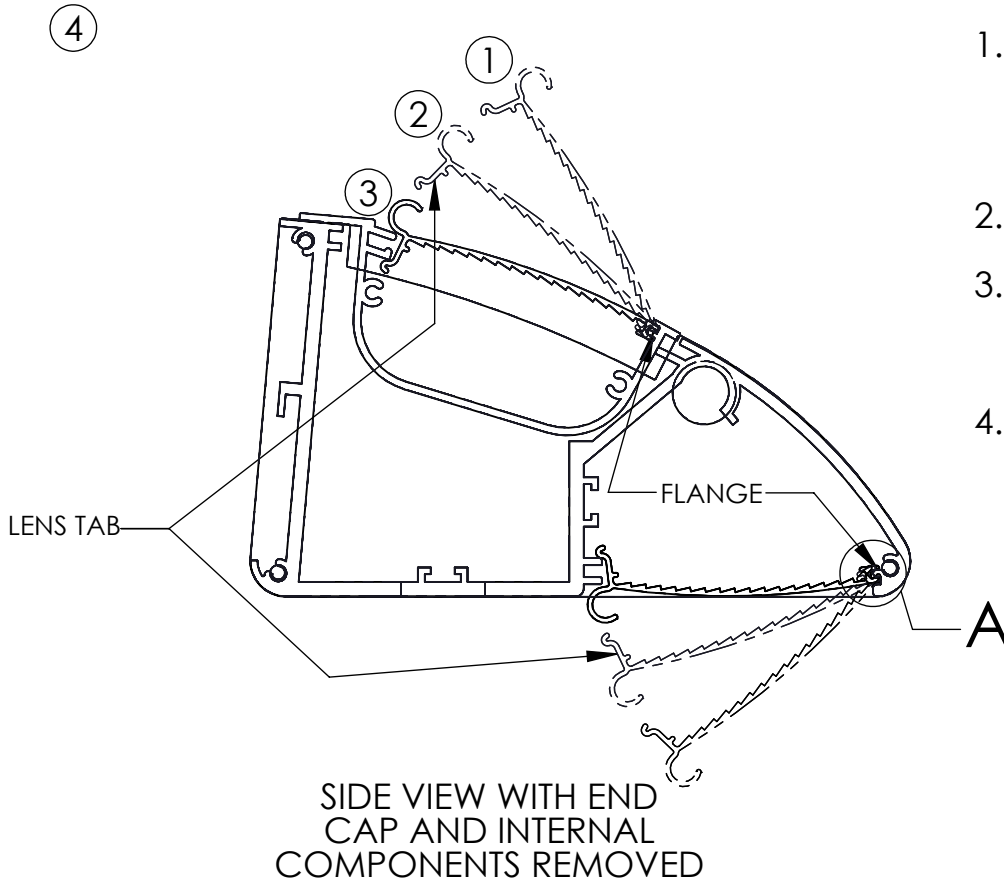
DRAWN		NAME		DATE		 3160 West 22nd Street Erie, PA 16506 Tel: 814-833-8980 Fax: 814-833-8984	
RKM		RKM		9/13/06			
REVISIONS							
LTR	ECN NO.	BY	DATE	DESCRIPTION			
A	-	RKM	11-07-06	INSTALLATION INSTRUCTIONS, CHRYSALITE/ARCHER			
SIZE		DWG. NO.		REV.			
A		I-0001		A			
SCALE:1:1		USED ON: -		SHEET 2 OF 3			

ALL LIGHT FIXTURES ARE 100% BENCH TESTED BEFORE LEAVING THE FACTORY.

CHRYSALITE LENS INSTALLATION INSTRUCTIONS:


FOLLOW THE NUMBERS IN THE FIGURE CORRESPONDING TO THE STEPS BELOW.

1. ORIENT EACH LENS AS SHOWN. AT THE FRONT OF THE LENS IS A GROOVE WHICH RUNS THE LENGTH OF THE LENS. POSITION THIS GROOVE ON THE FLANGES INDICATED IN THE FIGURE AT LEFT. SEE DETAIL 'A' FOR ADDED CLARITY.
2. ROTATE THE LENS INTO POSITION UNTIL THE LENS TAB COMES IN CONTACT WITH THE FIXTURE HOUSING.
3. STARTING ON ONE END, GENTLY FLEX THE LENS SO THAT THE LENS TAB SNAPS INTO PLACE. CONTINUE ALONG THE LENGTH OF THE LENS UNTIL IT IS COMPLETELY RETAINED.
4. TO REMOVE THE LENS, PULL ON THE CURLED TAB. START AT ONE END AND PROCEED ALONG THE LENS.



DO NOT USE OTHER TOOLS SUCH AS SCREWDRIVERS TO PRY ON THE LENS DURING INSTALLATION OR REMOVAL. LENS BREAKAGE MAY RESULT.

PROPRIETARY AND CONFIDENTIAL
THE INFORMATION CONTAINED IN THIS DRAWING IS THE SOLE PROPERTY OF HEALTHCARE LIGHTING INC. ANY REPRODUCTION IN PART OR AS A WHOLE WITHOUT THE WRITTEN PERMISSION OF HEALTHCARE LIGHTING INC., IS PROHIBITED.

DIMENSIONS ARE IN INCHES		NAME	DATE	 3160 West 22nd Street Erie, PA 16506 Tel: 814-833-8980 Fax: 814-833-8984				
TOLERANCES:		DRAWN	JRN		3/7/08			
FRACTIONAL: $\pm 1/16$		REVISIONS						
ANGULAR: MACH $\pm 0.5^\circ$ BEND $\pm 1^\circ$		LTR	ECN NO.	BY	DATE	DESCRIPTION <p style="text-align: center;">LENS INSTALLATION INSTRUCTIONS, CHRYSALITE</p>		
TWO PLACE DECIMAL ± 0.03		-	-	-	-			
THREE PLACE DECIMAL ± 0.01								
MATERIAL								
FINISH						SIZE	DWG. NO.	REV.
DO NOT SCALE DRAWING						A	I-0001	-
		SCALE:	USED ON:	-	SHEET 3 OF 3			