

INSTALLATION INSTRUCTIONS

TUSCANY GEO and OVAL LED Single-Gang Night Light

ALL LIGHT FIXTURES ARE 100% BENCH TESTED BEFORE LEAVING OUR FACTORY

THIS PRODUCT MUST BE INSTALLED IN ACCORDANCE WITH THE APPLICABLE INSTALLATION CODE BY A PERSON FAMILIAR WITH THE CONSTRUCTION AND OPERATION OF THE PRODUCT AND THE HAZARDS INVOLVED.

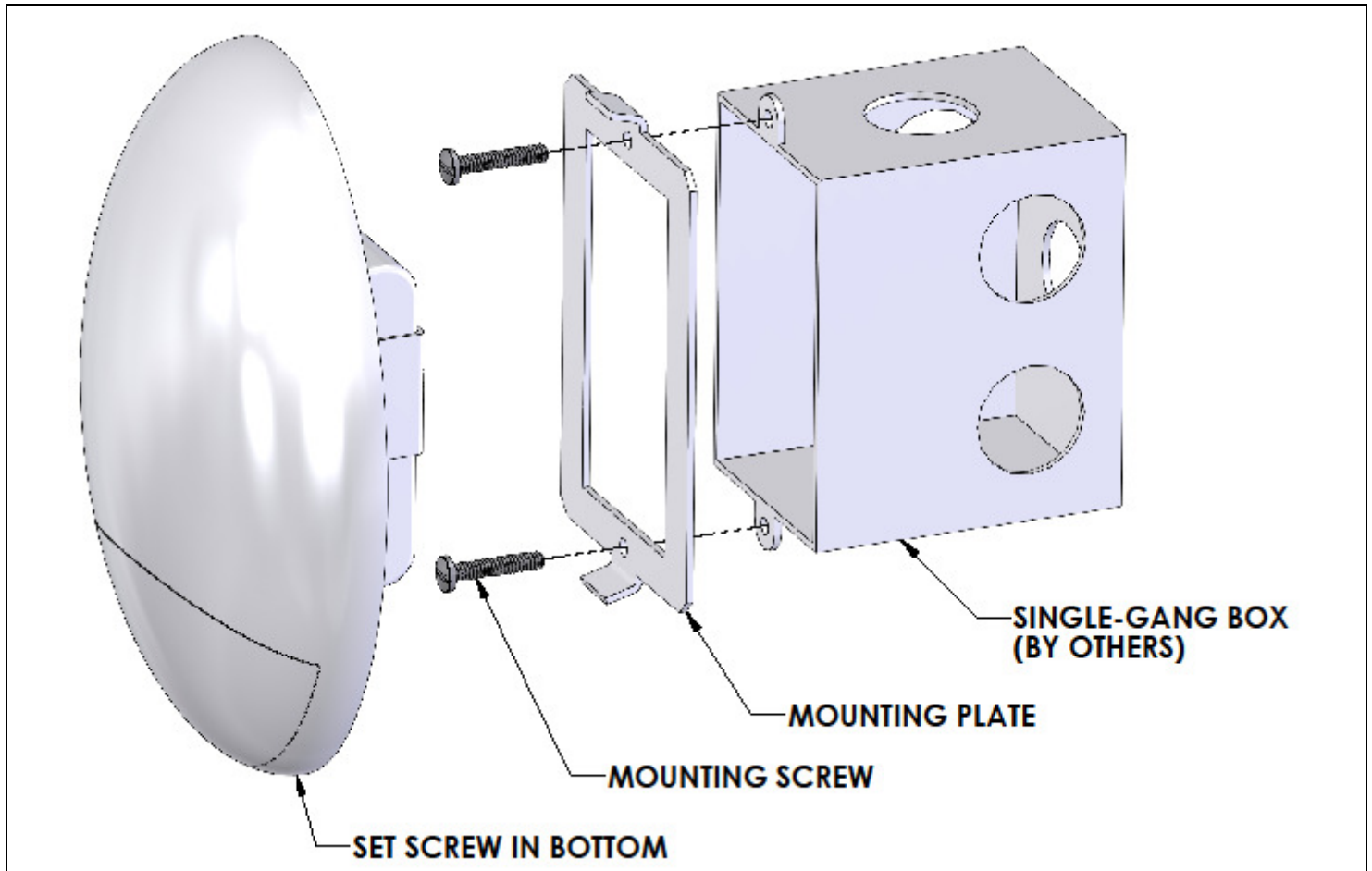


Figure 1. **OVAL** shown. **GEO** mounting is identical.

1. **Disconnect power to electrical supply circuit.**
2. For best results, wall box should be flush with, not protruding from, finished wall surface. Assemble Mounting Plate to single-gang wall box (provided by others) with the two screws provided. Do not over-tighten screws or distort mounting plate. Level mounting plate prior to tightening screws.
3. Adjust setscrew at bottom of fixture so that it protrudes slightly ($<1/16$ ") from surface. Do not remove setscrew.
4. Connect green ground wire of fixture to ground wire in wall box.
5. Connect the black wire of fixture to hot wire of wall box.
6. Connect the white wire of fixture to neutral wire of wall box.
7. Being careful not to scrape or damage wire insulation, push wires into wall box.
8. Hook fixture over top tab of mounting plate. Tab should enter upper slot in fixture back plate.
9. Carefully feed wires into wall box and push fixture firmly against wall, inserting bottom tab of mounting plate into lower slot in back plate of fixture.
10. Hold fixture in place while tightening setscrew (in bottom of fixture) against bottom tab of mounting plate, using the provided hex key wrench. **Do not over-tighten setscrew, or mounting plate will bend and push fixture away from wall.**
11. Energize power to electrical supply circuit. LED will illuminate. For **GEO** fixtures supplied with optional photo switch, LED will illuminate when room is darkened. Test photo switch operation by covering the small window at top of fixture.