

## INSTALLATION INSTRUCTIONS

### TUSCANY LES MINI LED Single-Gang Sconce

ALL LIGHT FIXTURES ARE 100% BENCH TESTED BEFORE LEAVING OUR FACTORY

THIS PRODUCT MUST BE INSTALLED IN ACCORDANCE WITH THE APPLICABLE INSTALLATION CODE BY A PERSON FAMILIAR WITH THE CONSTRUCTION AND OPERATION OF THE PRODUCT AND THE HAZARDS INVOLVED.

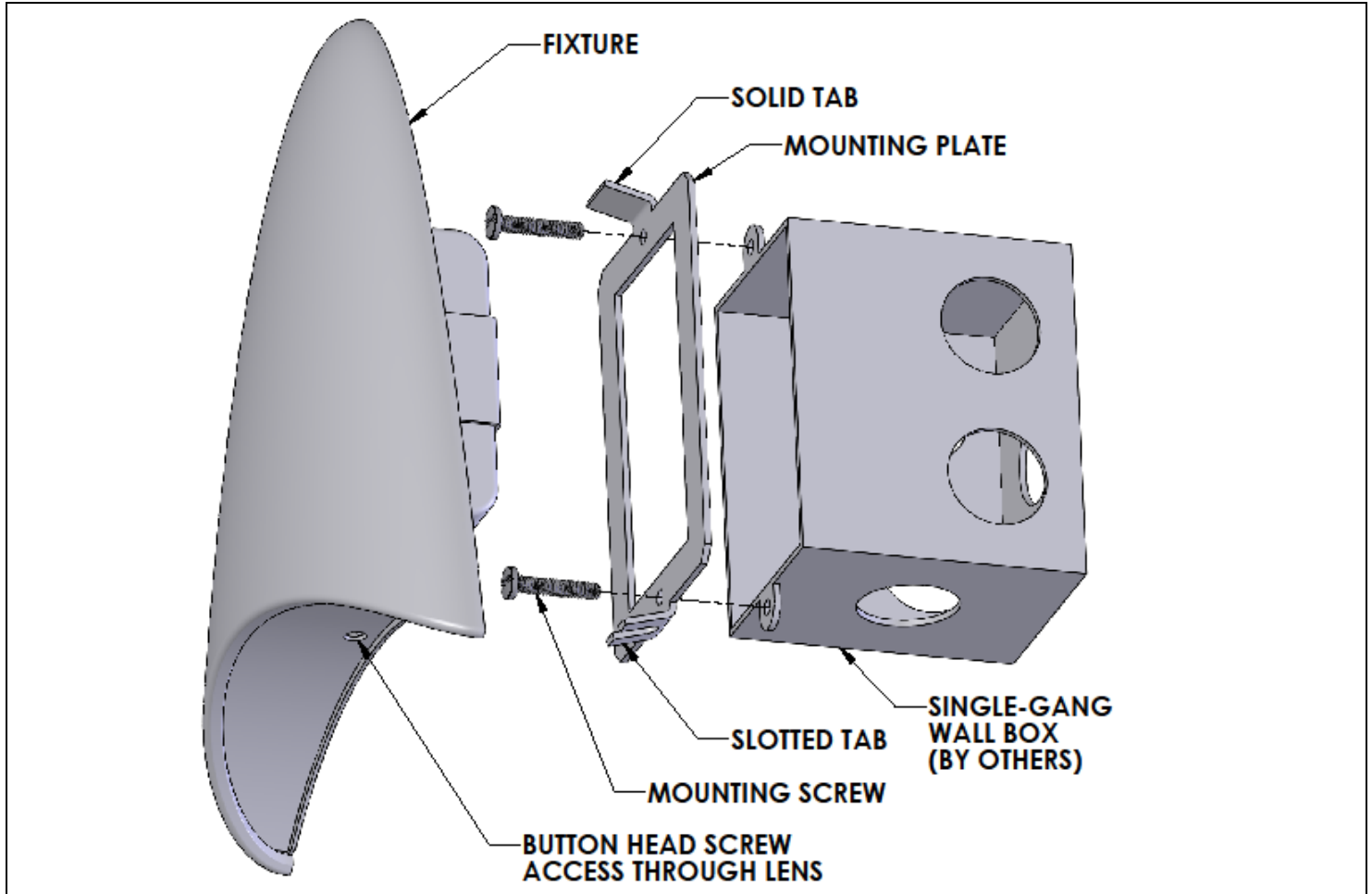


Figure 1. *Downlight shown. Rotate fixture and mounting plate 180° for upright.*

1. **Disconnect power to electrical supply circuit.**
2. For best results, wall box should be flush with, not protruding from, finished wall surface. Assemble Mounting Plate to single-gang wall box (provided by others) with the two screws provided. Do not over-tighten screws or distort mounting plate. Slotted tab of mounting plate must be as shown in Figure 1 (at bottom for downlight and at top for upright). Level mounting plate prior to tightening screws.
3. Back out button head screw (with hex key wrench provided) in bottom of fixture so that it just touches inside surface of lens. Do not force it into lens.
4. Connect Green ground wire of fixture to ground wire in wall box.
5. Connect Black wire of fixture to hot wire of wall box.
6. Connect White wire of fixture to neutral wire of wall box.
7. Being careful not to scrape or damage wire insulation, push wires into wall box.
8. Hook fixture over top tab (non-slotted tab) of mounting plate. Tab should enter upper slot in fixture back plate.
9. Carefully feed wires into wall box and push fixture firmly against wall, inserting bottom (slotted) tab of mounting plate into lower slot in back plate of fixture.
10. Hold fixture in place while tightening button head screw in bottom of fixture against slotted tab of mounting plate, using the provided hex key wrench. **Do not over-tighten screw, or mounting plate will bend and push fixture away from wall.**
11. Energize power to electrical supply circuit. LED will illuminate.